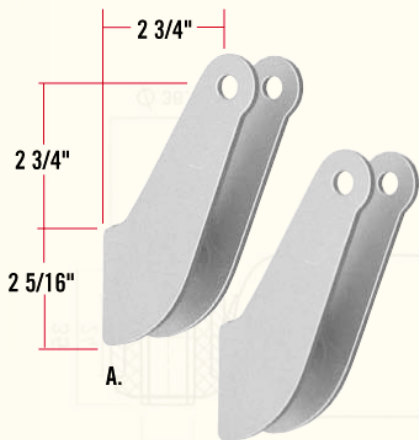


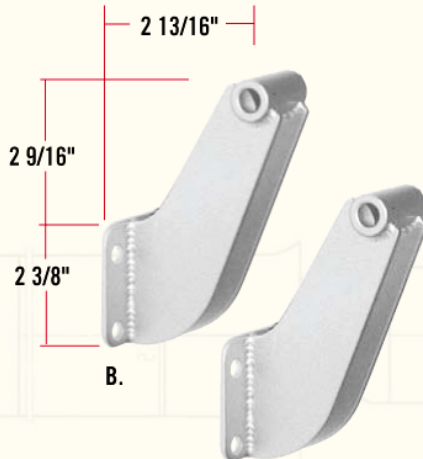
# Front End Components



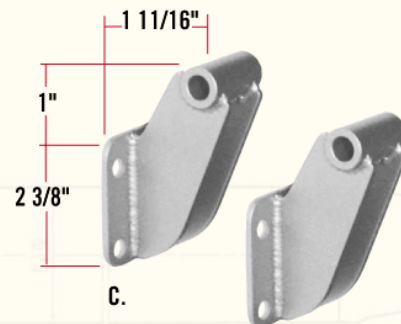
est. 1946



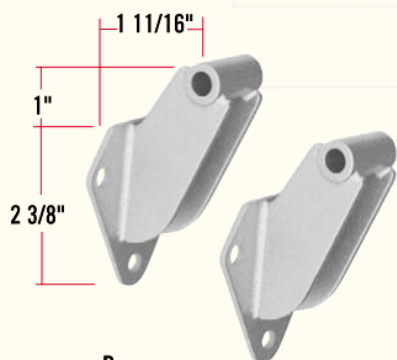
A.



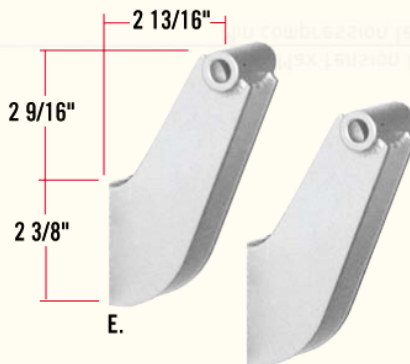
B.



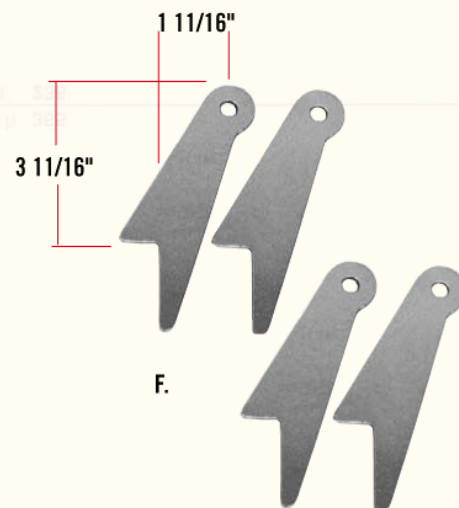
C.



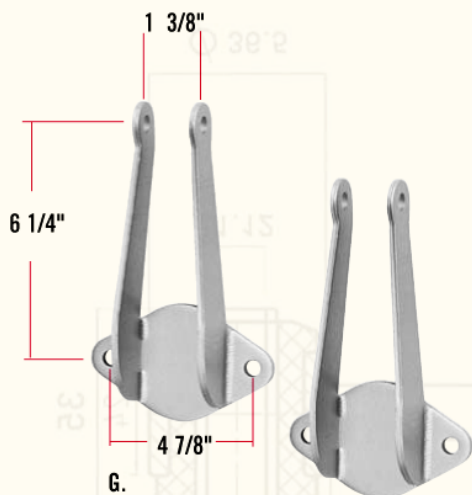
D.



E.



F.



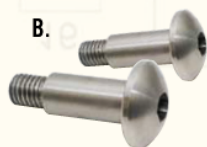
G.

**New**

**Other Upper Front Shock Mounts:** SO-CAL carries a number of other styles of bolt-on and weld-on upper front shock mounts to fit a wide variety of applications Model 'A' through '39 Ford. Call with your requirements.  
 (A) #001-50107 Weld-on for hiboys and FF: \$36.95 pr.  
 (B) #001-50104 Bolt-on for Model 'A' & '32: \$54.95 pr.  
 (C) #001-50105 Bolt-on "shortie": \$54.95 pr.  
 (D) #001-50106 Bolt-on for '33-'34: \$49.95 pr.  
 (E) #001-50108 Weld-on for Model 'A' & '32: \$43.95 pr.  
 (F) #001-50109 Weld-on for hiboys only: \$35.95 pr.  
 (G) #001-50111 Bolt-on for '35-'39: \$51.95 pr.



A.



B.

**Lower Shock Mount Fastener Kit:** This kit is designed to fasten the lower front shock absorber to the GT2 Batwings.  
 (A) #001-61004 polished: \$21.50 ea.  
 (B) #001-61003 upolished: \$18.50 ea.



A.

B.

**New**

**GT2 S/S Lower Front Bolt-on Shock Mounts:** These investment cast S/S shock mounts bolt on to the bottom of your front axle. They are offered in a plain and polished finish and include S/S fasteners.  
 (A) #001-60643 Shock mounts polished: \$129.95 pr.  
 (B) #001-60656 Shock mounts plain: \$114.95 pr.