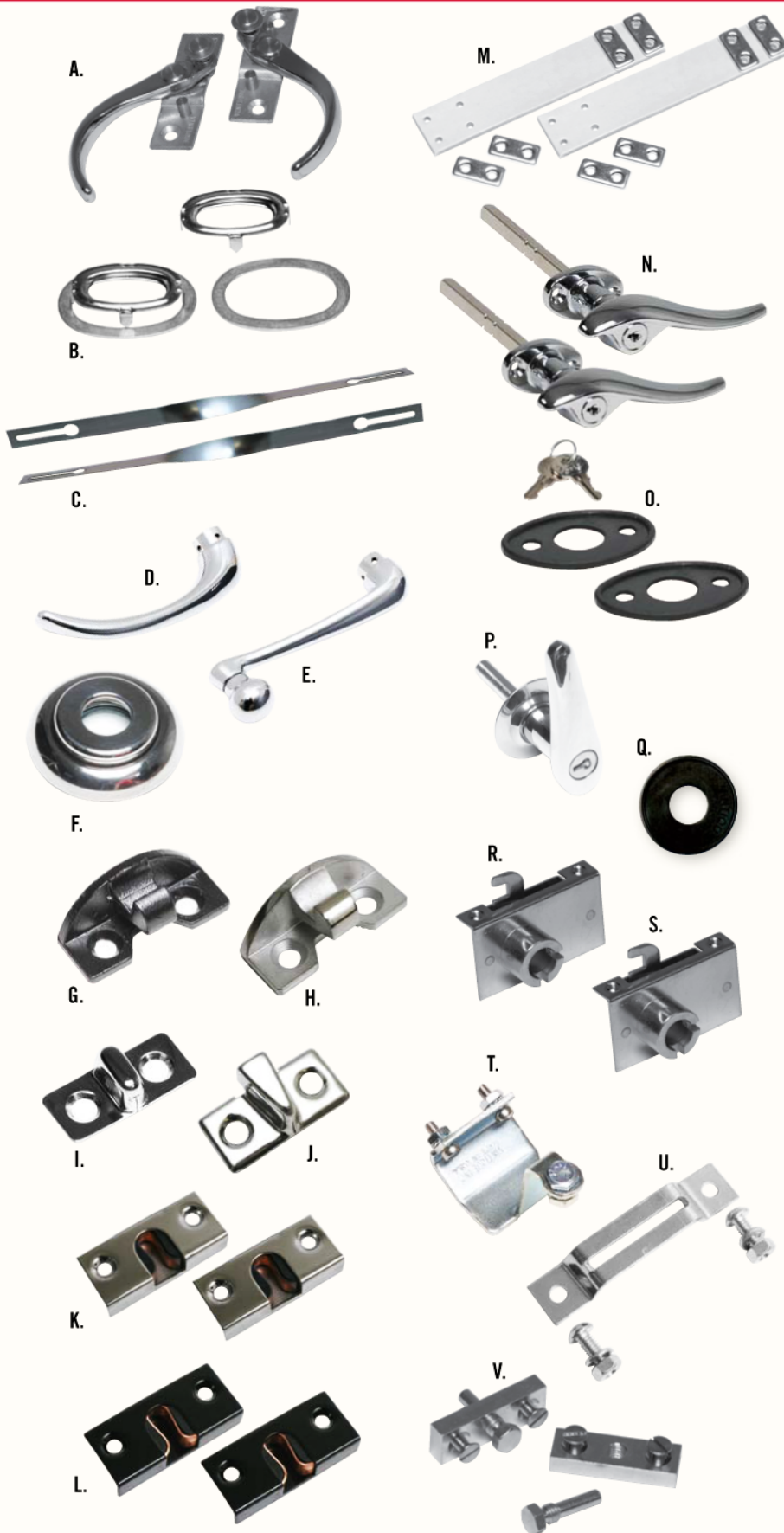


Roadster Bodies & Associated Parts



- (A) #011-18-702400-A
'32 Ford open car interior handles: \$50.00 pr.
- (B) #011-B-46270-AS
'32 Ford open car interior handle S/S escutcheon: \$14.99 pr.
- (C) #011-18-702401-R
'32 Ford open car latch control rod: \$8.00 pr.
- (D) #011-B-702400-E
'32 Ford closed car door handle: \$9.00 ea.
- (E) #011-B-702780-E
'32 Ford closed car window wind: \$10.00 ea.
- (F) #011-B-48139-AS
'32 Ford closed car interior handle S/S escutcheon: \$3.50 ea.
- (G) #011-B-35705
'28-'32 Ford open car striker, with hdw: \$9.95 ea.
- (H) #011-B-35705-SS
'28-'32 Roadster/Phaeton S/S Striker: \$15.00 ea.
- (I) #011-40-35577-BSS
'32-'36 Ford open car S/S male dovetail, S/S hdw: \$9.95 ea.
- (J) #011-40-35577-ASS
'33-'40/'32 3-W/'35-'42 PU Ford closed car male S/S dovetail, S/S hdw: \$9.95 ea.
- (K) #011-18-35576-SS
'32-'36 Ford open car S/S female dovetail, S/S hdw: \$25.00 pr.
- (L) #011-18-35576-BS
'32-'36 Ford open car, black female dovetail: \$18.00 pr.
- (M) #011-A-702828-S
Ford open car leather door check straps, S/S hdw: \$21.00 pr.
- (N) #011-40-702350/1-L
'32-'34 Ford closed car locking outside door handles: \$55.00 pr.
- (O) #011-B-702356-BS
'32-'34 Ford closed car outside door handle gaskets: \$2.00 pr.
- (P) #011-40-702352
'32-'34 Ford open car locking S/S trunk handle: \$35.00 ea.
- (Q) #011-A-702356-E
'32-'37 Ford trunk lid handle gasket: \$2.00 ea.
- (R) #011-A-52501
'28-'32 Ford rdstr & 5w cpe trunk lid latch, '28-'29 rdstr & cpe rumble lid latch, 1" collar: \$10.00 ea.
- (S) #011-A-52502
'32 Ford 3w cpe & '33-'34 Ford cpe & rdstr trunk latch, '30-'34 Ford rdstr & '30-'32 5w cpe rumble lid, 1 1/2" collar: \$10.00 ea.
- (T) #011-A-41615
'28-'32 Ford trunk lid striker plate: \$8.00 ea.
- (U) #011-A-52500-S
'28-'32 Rumble lid striker plate (except '32 3-Window): \$4.50 ea.
- (V) #011-A-41512-S
'28-'32 Ford trunk lid hinge brackets: \$12.00 pr.
- (W) #011-B-41518
'28-'34 Ford trunk & rumble lid bumpers: \$2.00 pr.
- (X) #011-B-46440
'32-'36 Ford door bumpers: \$1.75 ea.
- (Y) #167-11401
Bear claw double catch door latches w/strikers: \$49.99 pr.